



A division of CIPCOR International, Inc.

HQC Series

Instrumentation Quick Couplings



Features

- Leak tight sealing is achieved through multiple o-ring seals located in the couplers. Buna N is standard in brass and Viton® is standard in 316 stainless steel.
- Poppet valves with dependable, integral o-ring seals are standard in coupler and plug in double-end-shutoff applications. In single-end shutoff applications the poppet valve is installed in the body half.
- Positive valve stops prevent flow checking in the body.
- Valve guides align valves exactly to the coupler's valve seat preventing chance of leakage when in a disconnected mode.
- Locking mechanisms in bodies provide smooth positive sleeve engagement. A firm grip of the plug portion of the coupling assembly is assured with HOKE's Teflon®-bonded stainless locking "dogs".
- 316 stainless steel springs: all coupler and valving springs are constructed from 316 material.
- Gyrolok® nut and ferrule system provides leak-tight end connection.
- Keyed sleeves for all sizes
- HOKE HQC Series quick couplers are interchangeable with Swagelok®, Parker®, and TOMCO® components of the same style.

quick couplings

HQC Series Instrumentation Quick Couplings

Rated Working Pressure (psi)

BODY SIZE	BRASS PRODUCTS			STAINLESS STEEL PRODUCTS		
	1/4"	3/8"	1/2"	1/4"	3/8"	1/2"
CONNECTED POSITION	2000	1000	500	3600	1500	750
DISCONNECTED POSITION	2000	1000	500	3600	1500	750
CONNECT UNDER PRESSURE	250	250	250	250	250	250

Spillage/Air Inclusion

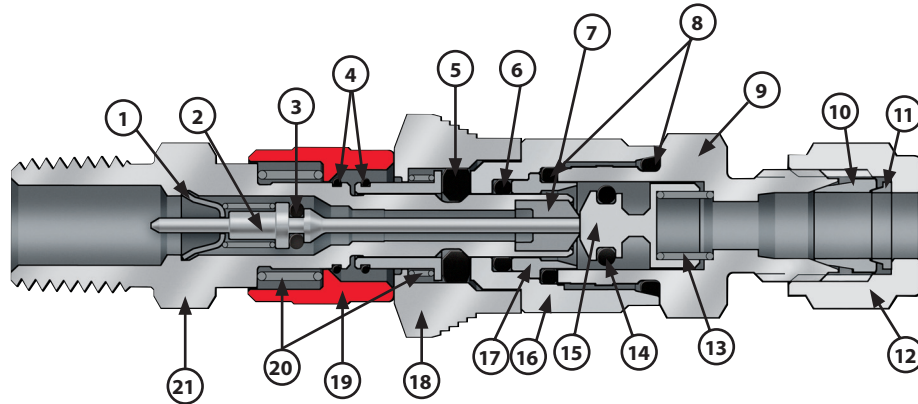
	AIR INCLUSION	SPILLAGE
HQC4	0.3 cm ³	0.3 cm ³
HQC6	1.0 cm ³	1.0 cm ³
HQC8	3.0 cm ³	3.0 cm ³

Materials of Construction

MACHINE PARTS	BRASS PRODUCTS	STAINLESS STEEL PRODUCTS
SPRING AND RETAINING RINGS	CA360 Brass	Stainless Steel AISI type 316
SEALS	Stainless Steel AISI type 316 O-rings: Buna N is standard -40° F to +250° F	Stainless Steel AISI type 316 O-rings: Viton® is standard +20° F to +400° F

Standard seal lubrication is Krytox®.

1	Spider
2	Poppet
3	O-ring
4	Retaining ring
5	Locking dogs
6	Plug seal
7	Poppet guide
8	O-rings
9	Body
10	Gyrolok® front ferrule
11	Gyrolok® rear ferrule
12	Gyrolok® nut
13	Spring
14	O-ring
15	Poppet
16	Body housing
17	Body seat
18	Body sleeve
19	Plug sleeve
20	Spring
21	Plug

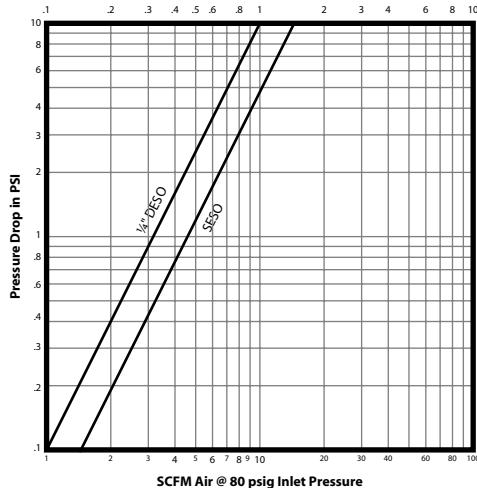


Flow

HQC4 SERIES

Max. Connect/Disconnect: 250 psig

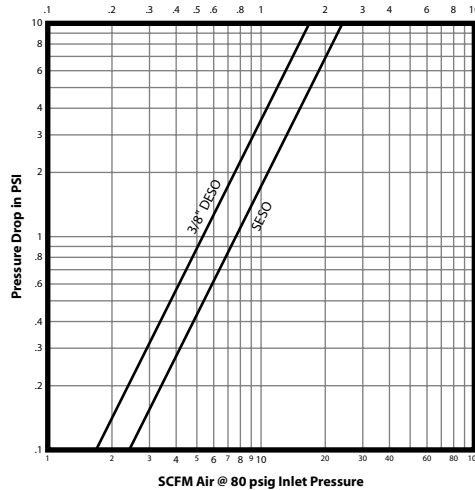
Flow Rate of Water in GPM (68° F)



HQC6 SERIES

Max. Connect/Disconnect: 250 psig

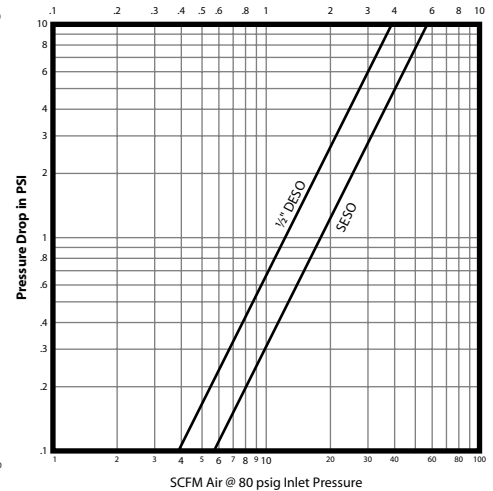
Flow Rate of Water in GPM (68° F)



HQC8 SERIES

Max. Connect/Disconnect: 250 psig

Flow Rate of Water in GPM (68° F)

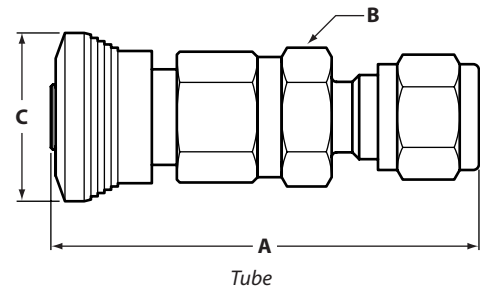


HQC Series Instrumentation Quick Couplings

Dimensions: Body Assemblies with Valves

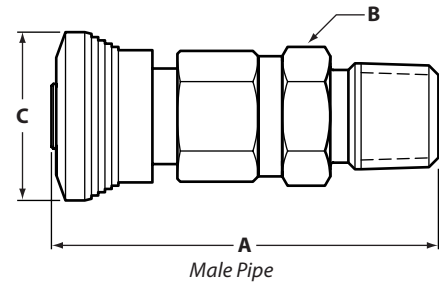
Tube

SERIES	BODY SIZE	TUBE SIZE	PART NO.	A	B HEX	C
HQC4	¼	⅛	HQC4-B-2-316	2.18	0.63	0.88
HQC4	¼	¼	HQC4-B-4	2.22	0.63	0.88
HQC4	¼	¼	HQC4-B-4-316	2.22	0.63	0.88
HQC4	¼	6mm	HQC4-B-6M0	56.4mm	16.0mm	22.4mm
HQC4	¼	6mm	HQC4-B-6M0-316	56.4mm	16.0mm	22.4mm
HQC6	⅜	⅜	HQC6-B-6	2.70	0.75	1.00
HQC6	⅜	⅜	HQC6-B-6-316	2.70	0.75	1.00
HQC6	⅜	10mm	HQC6-B-10M0	68.6mm	19.1mm	25.4mm
HQC6	⅜	10mm	HQC6-B-10M0-316	68.6mm	19.1mm	25.4mm
HQC8	½	½	HQC8-B-8	3.24	0.94	1.13
HQC8	½	½	HQC8-B-8-316	3.24	0.94	1.13
HQC8	½	12mm	HQC8-B-12M0	82.3mm	23.9mm	28.7mm
HQC8	½	12mm	HQC8-B-12M0-316	82.3mm	23.9mm	28.7mm



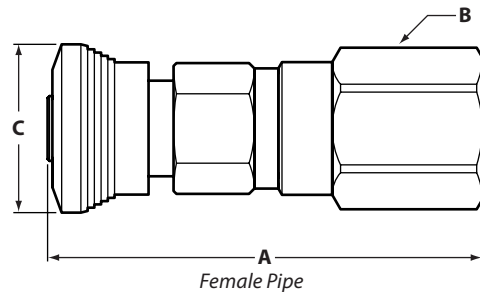
Male Pipe

SERIES	BODY SIZE	PIPE THREAD	PART NO.	A	B HEX	C
HQC4	¼	⅛ NPT	HQC4-B-2M	1.83	0.63	0.88
HQC4	¼	⅛ NPT	HQC4-B-2M-316	1.83	0.63	0.88
HQC4	¼	¼ NPT	HQC4-B-4M	2.01	0.63	0.88
HQC4	¼	¼ NPT	HQC4-B-4M-316	2.01	0.63	0.88
HQC4	¼	¼ BSP	HQC4-B-4MT	2.01	0.63	0.88
HQC4	¼	¼ BSP	HQC4-B-4MT-316	2.01	0.63	0.88
HQC6	⅜	¼ NPT	HQC6-B-4M	2.43	0.75	1.00
HQC6	⅜	¼ NPT	HQC6-B-4M-316	2.43	0.75	1.00
HQC6	⅜	⅜ NPT	HQC6-B-6M	2.43	0.75	1.00
HQC6	⅜	⅜ NPT	HQC6-B-6M-316	2.43	0.75	1.00
HQC6	⅜	⅜ BSP	HQC8-B-6MT	2.43	0.75	1.00
HQC6	⅜	⅜ BSP	HQC8-B-6MT-316	2.43	0.75	1.00
HQC8	½	½ NPT	HQC8-B-8M	2.83	0.94	1.13
HQC8	½	½ NPT	HQC8-B-8M-316	2.83	0.94	1.13
HQC8	½	½ BSP	HQC8-B-8MT	2.83	0.94	1.13
HQC8	½	½ BSP	HQC8-B-8MT-316	2.83	0.94	1.13



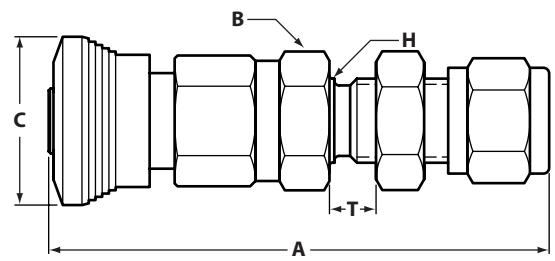
Female Pipe

SERIES	BODY SIZE	PIPE THREAD	PART NO.	A	B HEX	C
HQC4	¼	⅛ NPT	HQC4-B-2F	2.10	0.63	0.88
HQC4	¼	⅛ NPT	HQC4-B-2F-316	2.10	0.63	0.88
HQC4	¼	¼ NPT	HQC4-B-4F	2.26	0.75	0.88
HQC4	¼	¼ NPT	HQC4-B-4F-316	2.26	0.75	0.88
HQC4	¼	¼ BSP	HQC4-B-4FT	2.26	0.75	0.88
HQC4	¼	¼ BSP	HQC4-B-4FT-316	2.26	0.75	0.88
HQC6	⅜	¼ NPT	HQC6-B-4F	2.60	0.75	1.00
HQC6	⅜	¼ NPT	HQC6-B-4F-316	2.60	0.75	1.00
HQC6	⅜	⅜ NPT	HQC6-B-6F	2.63	0.88	1.00
HQC6	⅜	⅜ NPT	HQC6-B-6F-316	2.63	0.88	1.00
HQC6	⅜	⅜ BSP	HQC6-B-6FT	2.63	0.88	1.00
HQC6	⅜	⅜ BSP	HQC6-B-6FT-316	2.63	0.88	1.00
HQC8	½	½ NPT	HQC8-B-8F	3.25	1.06	1.13
HQC8	½	½ NPT	HQC8-B-8F-316	3.25	1.06	1.13
HQC8	½	½ BSP	HQC8-B-8FT	3.25	1.06	1.13
HQC8	½	½ BSP	HQC8-B-8FT-316	3.25	1.06	1.13



Bulkhead Tube

SERIES	BODY SIZE	TUBE SIZE	PART NO.	A	B HEX	C
HQC4	¼	¼	HQC4-B1-4	2.59	0.63	0.88
HQC4	¼	¼	HQC4-B1-4-316	2.59	0.63	0.88
HQC4	¼	6mm	HQC4-B1-6M0	65.8mm	16.0mm	22.4mm
HQC4	¼	6mm	HQC4-B1-6M0-316	65.8mm	16.0mm	22.4mm
HQC6	⅜	⅜	HQC6-B1-6	3.02	0.75	1.00
HQC6	⅜	⅜	HQC6-B1-6-316	3.02	0.75	1.00
HQC6	⅜	10mm	HQC6-B1-10M0	76.7mm	19.1mm	25.4mm
HQC6	⅜	10mm	HQC6-B1-10M0-316	76.7mm	19.1mm	25.4mm



Note: All dimensions in inches unless specified as 'mm' (millimeters).

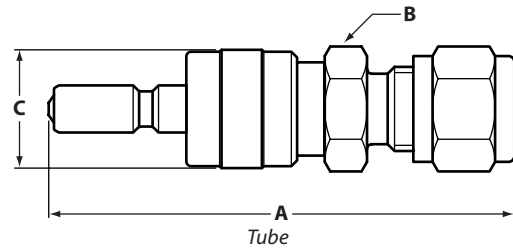
For 'H' and 'T' dimensions, see page 6

HQC Series Instrumentation Quick Couplings

Dimensions: Plugs, Non-valved, Single End Shutoff (SESO)

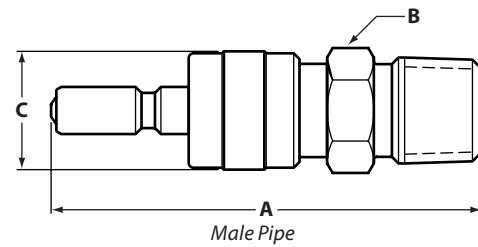
Tube

SERIES	BODY SIZE	TUBE SIZE	PART NO.	A	B HEX	C
HQC4	1/4	1/8	HQC4-S-2-316	2.95	0.56	0.62
HQC4	1/4	1/4	HQC4-S-4	2.42	0.56	0.62
HQC4	1/4	1/4	HQC4-S-4-316	2.42	0.56	0.62
HQC4	1/4	6mm	HQC4-S-6M0	79.2mm	14.2mm	15.7mm
HQC4	1/4	6mm	HQC4-S-6M0-316	79.2mm	14.2mm	15.7mm
HQC6	3/8	3/8	HQC6-S-6	2.60	0.69	0.74
HQC6	3/8	3/8	HQC6-S-6-316	2.60	0.69	0.74
HQC6	3/8	10mm	HQC6-S-10M0	67.1mm	19.1mm	18.8mm
HQC6	3/8	10mm	HQC6-S-10M0-316	67.1mm	19.1mm	18.8mm
HQC8	1/2	1/2	HQC8-S-8	3.15	0.88	0.88
HQC8	1/2	1/2	HQC8-S-8-316	3.15	0.88	0.88
HQC8	1/2	12mm	HQC8-S-12M0	100.1mm	22.4mm	22.4mm
HQC8	1/2	12mm	HQC8-S-12M0-316	100.1mm	22.4mm	22.4mm



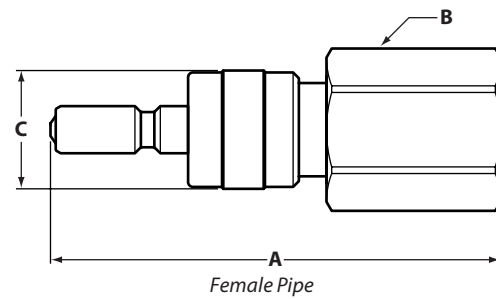
Male Pipe

SERIES	BODY SIZE	PIPE THREAD	PART NO.	A	B HEX	C
HQC4	1/4	1/8 NPT	HQC4-S-2M	2.06	0.56	0.62
HQC4	1/4	1/8 NPT	HQC4-S-2M-316	2.06	0.56	0.62
HQC4	1/4	1/4 NPT	HQC4-S-4M	2.24	0.56	0.62
HQC4	1/4	1/4 NPT	HQC4-S-4M-316	2.24	0.56	0.62
HQC4	1/4	1/4 BSP	HQC4-S-4MT	2.24	0.56	0.62
HQC4	1/4	1/4 BSP	HQC4-S-4MT-316	2.24	0.56	0.62
HQC6	3/8	1/4 NPT	HQC6-S-4M	2.33	0.75	0.74
HQC6	3/8	1/4 NPT	HQC6-S-4M-316	2.33	0.75	0.74
HQC6	3/8	3/8 NPT	HQC6-S-6M	2.33	0.75	0.74
HQC6	3/8	3/8 NPT	HQC6-S-6M-316	2.33	0.75	0.74
HQC6	3/8	3/8 BSP	HQC6-S-6MT	2.33	0.75	0.74
HQC6	3/8	3/8 BSP	HQC6-S-6MT-316	2.33	0.75	0.74
HQC8	1/2	1/2 NPT	HQC8-S-8M	2.87	0.88	0.88
HQC8	1/2	1/2 NPT	HQC8-S-8M-316	2.87	0.88	0.88
HQC8	1/2	1/2 BSP	HQC8-S-8MT	2.87	0.88	0.88
HQC8	1/2	1/2 BSP	HQC8-S-8MT-316	2.87	0.88	0.88



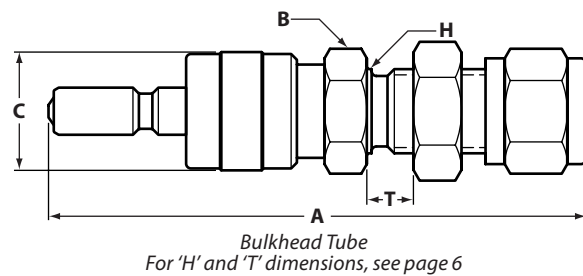
Female Pipe

SERIES	BODY SIZE	PIPE THREAD	PART NO.	A	B HEX	C
HQC4	1/4	1/8 NPT	HQC4-S-2F	2.21	0.56	0.62
HQC4	1/4	1/8 NPT	HQC4-S-2F-316	2.21	0.56	0.62
HQC4	1/4	1/4 NPT	HQC4-S-4F	2.34	0.75	0.62
HQC4	1/4	1/4 NPT	HQC4-S-4F-316	2.34	0.75	0.62
HQC4	1/4	1/4 BSP	HQC4-S-4FT	2.34	0.75	0.62
HQC4	1/4	1/4 BSP	HQC4-S-4FT-316	2.34	0.75	0.62
HQC6	3/8	1/4 NPT	HQC6-S-4F	2.51	0.75	0.74
HQC6	3/8	1/4 NPT	HQC6-S-4F-316	2.51	0.75	0.74
HQC6	3/8	3/8 NPT	HQC6-S-6F	2.53	0.88	0.74
HQC6	3/8	3/8 NPT	HQC6-S-6F-316	2.53	0.88	0.74
HQC6	3/8	3/8 BSP	HQC6-S-6FT	2.53	0.88	0.74
HQC6	3/8	3/8 BSP	HQC6-S-6FT-316	2.53	0.88	0.74
HQC8	1/2	1/2 NPT	HQC8-S-8F	3.12	1.06	0.88
HQC8	1/2	1/2 NPT	HQC8-S-8F-316	3.12	1.06	0.88
HQC8	1/2	1/2 BSP	HQC8-S-8FT	3.12	1.06	0.88
HQC8	1/2	1/2 BSP	HQC8-S-8FT-316	3.12	1.06	0.88



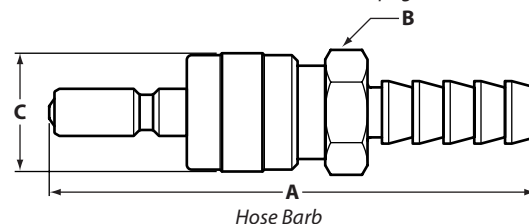
Bulkhead Tube

SERIES	BODY SIZE	TUBE SIZE	PART NO.	A	B HEX	C
HQC4	1/4	1/4	HQC4-S1-4	2.80	0.56	0.62
HQC4	1/4	1/4	HQC4-S1-4-316	2.80	0.56	0.62
HQC4	1/4	6mm	HQC4-S1-6M0	88.8mm	14.2mm	15.7mm
HQC4	1/4	6mm	HQC4-S1-6M0-316	88.8mm	14.2mm	15.7mm
HQC6	3/8	3/8	HQC6-S1-6-316	3.24	0.69	0.74
HQC6	3/8	10mm	HQC6-S1-10M0	82.3mm	19.1mm	18.8mm
HQC6	3/8	10mm	HQC6-S1-10M0-316	82.3mm	19.1mm	18.8mm



Hose Barb

SERIES	BODY SIZE	HOSE	PART NO.	A	B HEX	C
HQC6	3/8	3/8	QC6-S-6H-316	2.66	0.69	0.74



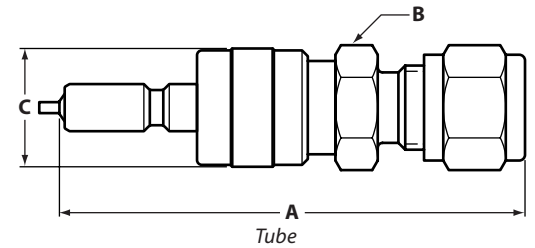
Note: All dimensions in inches unless specified as 'mm' (millimeters).

HQC Series Instrumentation Quick Couplings

Dimensions: Instrumentation Plugs, Valved, Double End Shutoff (DESO)

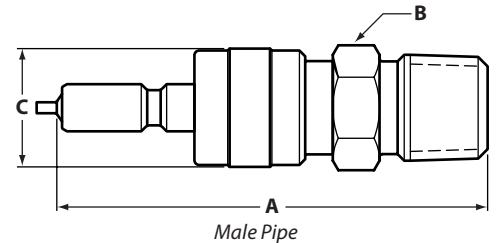
Tube

SERIES	BODY SIZE	TUBE SIZE	PART NO.	A	B HEX	C
HQC4	¼	⅛	HQC4-D-2-316	2.95	0.56	0.62
HQC4	¼	¼	HQC4-D-4	2.42	0.56	0.62
HQC4	¼	¼	HQC4-D-4-316	2.42	0.56	0.62
HQC4	¼	6mm	HQC4-D-6M0	79.2mm	14.2mm	15.7mm
HQC4	¼	6mm	HQC4-D-6M0-316	79.2mm	14.2mm	15.7mm
HQC6	⅜	⅜	HQC6-D-6	2.60	0.69	0.74
HQC6	⅜	⅜	HQC6-D-6-316	2.60	0.69	0.74
HQC6	⅜	10mm	HQC6-D-10M0	67.1mm	19.1mm	18.8mm
HQC6	⅜	10mm	HQC6-D-10M0	67.1mm	19.1mm	18.8mm
HQC8	½	½	HQC8-D-8	3.15	0.88	0.88
HQC8	½	½	HQC8-D-8-316	3.15	0.88	0.88
HQC8	½	12mm	HQC8-D-12M0	100.1mm	22.4mm	22.4mm
HQC8	½	12mm	HQC8-D-12M0-316	100.1mm	22.4mm	22.4mm



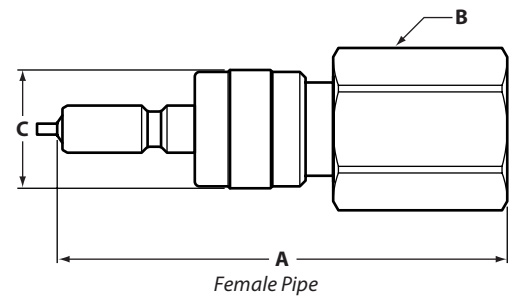
Male Pipe

SERIES	BODY SIZE	PIPE THREAD	PART NO.	A	B HEX	C
HQC4	¼	⅛ NPT	HQC4-D-2M	2.06	0.56	0.62
HQC4	¼	⅛ NPT	HQC4-D-2M-316	2.06	0.56	0.62
HQC4	¼	¼ NPT	HQC4-D-4M	2.24	0.56	0.62
HQC4	¼	¼ NPT	HQC4-D-4M-316	2.24	0.56	0.62
HQC4	¼	¼ BSP	HQC4-D-4MT	2.24	0.56	0.62
HQC4	¼	¼ BSP	HQC4-D-4MT-316	2.24	0.56	0.62
HQC6	⅜	¼ NPT	HQC6-D-4M	2.34	0.75	0.74
HQC6	⅜	¼ NPT	HQC6-D-4M-316	2.34	0.75	0.74
HQC6	⅜	⅜ NPT	HQC6-D-6M	2.34	0.75	0.74
HQC6	⅜	⅜ NPT	HQC6-D-6M-316	2.34	0.75	0.74
HQC6	⅜	⅜ BSP	HQC6-D-6MT	2.34	0.75	0.74
HQC6	⅜	⅜ BSP	HQC6-D-6MT-316	2.34	0.75	0.74
HQC8	½	½ NPT	HQC8-D-8M	2.87	0.88	0.88
HQC8	½	½ NPT	HQC8-D-8M-316	2.87	0.88	0.88
HQC8	½	½ BSP	HQC8-D-8MT	2.87	0.88	0.88
HQC8	½	½ BSP	HQC8-D-8MT-316	2.87	0.88	0.88



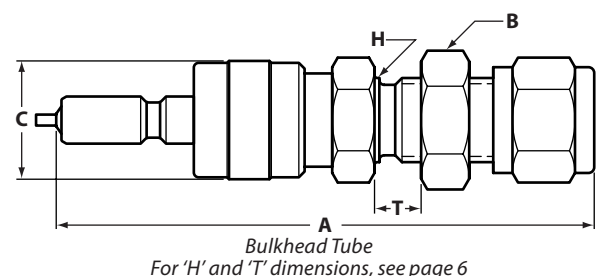
Female Pipe

SERIES	BODY SIZE	PIPE THREAD	PART NO.	A	B HEX	C
HQC4	¼	⅛ NPT	HQC4-D-2F	2.21	0.56	0.62
HQC4	¼	⅛ NPT	HQC4-D-2F-316	2.21	0.56	0.62
HQC4	¼	¼ NPT	HQC4-D-4F	2.34	0.75	0.62
HQC4	¼	¼ NPT	HQC4-D-4F-316	2.34	0.75	0.62
HQC4	¼	¼ BSP	HQC4-D-4FT	2.34	0.75	0.62
HQC4	¼	¼ BSP	HQC4-D-4FT-316	2.34	0.75	0.62
HQC6	⅜	¼ NPT	HQC6-D-4F	2.51	0.75	0.74
HQC6	⅜	¼ NPT	HQC6-D-4F-316	2.51	0.75	0.74
HQC6	⅜	⅜ NPT	HQC6-D-6F	2.53	0.88	0.74
HQC6	⅜	⅜ NPT	HQC6-D-6F-316	2.53	0.88	0.74
HQC6	⅜	⅜ BSP	HQC6-D-6FT	2.53	0.88	0.74
HQC6	⅜	⅜ BSP	HQC6-D-6FT-316	2.53	0.88	0.74
HQC8	½	½ NPT	HQC8-D-8F	3.12	1.06	0.88
HQC8	½	½ NPT	HQC8-D-8F-316	3.12	1.06	0.88
HQC8	½	½ BSP	HQC8-D-8FT	3.12	1.06	0.88
HQC8	½	½ BSP	HQC8-D-8FT-316	3.12	1.06	0.88



Bulkhead Tube

SERIES	BODY SIZE	TUBE SIZE	PART NO.	A	B HEX	C
HQC4	¼	¼	HQC4-D1-4	2.80	0.56	0.62
HQC4	¼	¼	HQC4-D1-4-316	2.80	0.56	0.62
HQC4	¼	6mm	HQC4-D1-6M0	88.8mm	14.2mm	15.7mm
HQC4	¼	6mm	HQC4-D1-6M0-316	88.8mm	14.2mm	15.7mm
HQC6	⅜	⅜	HQC6-D1-6	3.24	0.69	0.74
HQC6	⅜	⅜	HQC6-D1-6-316	3.24	0.69	0.74
HQC6	⅜	10mm	HQC6-D1-10M0	82.3mm	19.1mm	18.8mm
HQC6	⅜	10mm	HQC6-D1-10M0-316	82.3mm	19.1mm	18.8mm



Note: All dimensions in inches unless specified as 'mm' (millimeters).

HQC Series Instrumentation Quick Couplings

HOKE Color Coded "Keyed" Quick Couplers



HOKE Keyed Quick Couplers will only fit mating Keyed components, preventing accidental mixing of fluid or pressure lines.

Body and plug assemblies are numbered and color-coded for positive identification.

HOKE Keyed HQC Series quick couplers are interchangeable with Swagelok®, Parker®, and TOMCO® components of the same style.

KEY NUMBER	COLOR	HQC4		HQC6		HQC8	
		BODY SLEEVE O.D.	PLUG SLEEVE O.D.	BODY SLEEVE O.D.	PLUG SLEEVE O.D.	BODY SLEEVE O.D.	PLUG SLEEVE O.D.
K1	Black	0.96	0.82	1.13	0.99	1.26	1.10
K2	Orange	0.99	0.85	1.16	1.02	1.29	1.14
K3	Green	1.02	0.88	1.19	1.05	1.32	1.17
K4	Yellow	1.05	0.91	1.22	1.08	1.35	1.20
K5	Blue	1.08	0.94	1.24	1.11	1.38	1.23
K6	White	1.11	0.97	1.28	1.14	1.41	1.26
K7	Purple	1.14	1.00	1.31	1.17	1.44	1.29
K8	Brown	1.17	1.03	1.34	1.20	1.47	1.32

Keys K1–K5 are standard stock items. For keys K6–K8, consult the factory.

Panel Mount Dimensions (from Bulkhead drawings on pages 3, 4, and 5)

	BULKHEAD SIZE	H PANEL HOLE	T PANEL WIDTH
HQC4	1/8" Gyrolok®	0.328"	0.250" max.
	1/4" Gyrolok®	0.469"	0.250" max.
	6mm Gyrolok®	11.9mm	6.3mm max.
HQC6	1/4" Gyrolok®	0.469"	0.250" max.
	3/8" Gyrolok®	0.594"	2.70" max.
	10mm Gyrolok®	15.1mm	6.9mm max.
HQC8	1/2" Gyrolok®	0.781"	0.260" max.

HQC Series Instrumentation Quick Couplings

How to Order

HQC4 - B1 - 4 - F - K1 - 316 - 203

BODY SIZE

HQC4 1/4"
HQC6 3/8"
HQC8 1/2"

COMPONENT

B Body
B1 Bulkhead body
D Plug valved
D1 Plug valved bulkhead
S Plug non-valved
S1 Plug non-valved bulkhead

PORT SIZE

2 1/8" **6M0** 6mm
4 1/4" **10M0** 10mm
6 3/8" **12M0** 12mm
8 1/2"

SEAL OPTIONS

Blank Standard seal
201 Viton® (standard for 316 SS)
203 Kalrez®
204 EP
205 Buna N (standard for brass)
206 Neoprene

MATERIALS

None Brass
316 Stainless steel

OPTIONS

Blank No options
C Oxygen clean
K1-K8 Keyed sleeves (see page 6)
1S Low profile sleeve

PORT CONFIGURATIONS

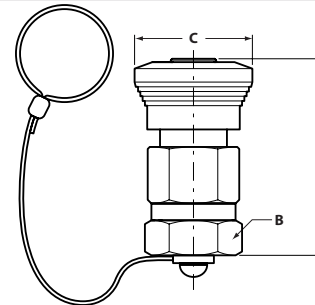
Blank Tube fitting
F Female NPT
FT Female British taper pipe
H Hose barb
M Male NPT
MT Male British taper pipe

Standard seal lubricant is Krytox®.

Accessories

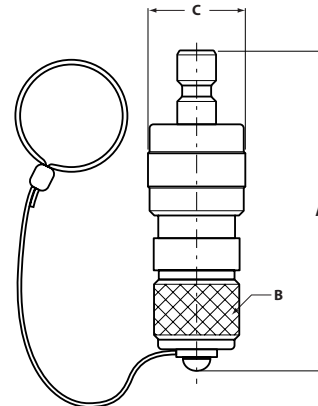
Dust Caps

SERIES	BODY SIZE	PART NO.	A	B HEX	C
HQC4	1/4"	HQC4-C	1.45	0.63	0.88
HQC4	1/4"	HQC4-C-316	1.45	0.63	0.88
HQC6	3/8"	HQC6-C	1.45	0.75	1.00
HQC6	3/8"	HQC6-C-316	1.45	0.75	1.00
HQC8	1/2"	HQC8-C	1.65	0.94	1.13
HQC8	1/2"	HQC8-C-316	1.65	0.94	1.13



Dust Plugs

SERIES	BODY SIZE	PART NO.	A	B HEX	C
HQC4	1/4"	HQC4-P	1.88	0.57	0.62
HQC4	1/4"	HQC4-P-316	1.88	0.57	0.62
HQC6	3/8"	HQC6-P	1.98	0.63	0.74
HQC6	3/8"	HQC6-P-316	1.98	0.63	0.74
HQC8	1/2"	HQC8-P	2.25	0.75	0.88
HQC8	1/2"	HQC8-P-316	2.25	0.75	0.88



For Your Safety

It is solely the responsibility of the system designer and user to select products suitable for their specific application requirements and to ensure proper installation, operation, and maintenance of these products. Material compatibility, product ratings and application details should be considered in the selection. Improper selection or use of products described herein can cause personal injury or property damage.

Gyrolok® is a registered trademark of HOKE Incorporated.
 Kalrez® and Viton® are registered trademarks of DuPont Dow Elastomers.
 Krytox® and Teflon® are registered trademarks of the DuPont Company.
 Swagelok® is a registered trademark of Swagelok Company.
 Parker® is a registered trademark of Parker Hannifin Corporation
 TOMCO® is a registered trademark of TOMCO Products, Inc.



CIRCOR International, Inc.

35 Corporate Drive
Burlington, MA 01803-4230
Tel (781) 270-1200
Fax (781) 270-1299
www.circor.com

Aerodyne Controls

30 Haynes Court
Ronkonkoma, NY 11779
Tel (631) 737-1800
Fax (631) 737-1912
www.aerodyne-controls.com

HOKE GmbH

Weitzesweg 11
Postfach 15 41
D-61118 Bad Vilbel-Dortelweil
Tel +49 6101 82 56 0
Fax +49 6101 82 56 40
www.hoke.de

Circle Seal Controls, Inc.

2301 Wardlow Circle
Corona, CA 92880
Tel (909) 270-6200
Fax (909) 270-6201
www.circle-seal.com

HOKE, Inc.

405 Centura Court
Spartanburg, SC 29303
Tel (864) 574-7966
Fax (864) 587-5608
www.hoke.com

CIRCOR Instrumentation, Ltd.

1-3 Bouverie Road
Harrow
Middlesex, HA1 4HB
Tel +44 (0) 20 8423 0113
Fax +44 (0) 20 8864 7008
www.circor.co.uk

Panels Plus

1901 Lynx Place
Ontario, CA 91761
Tel (909) 923-3770
Fax (909) 923-2550
www.circor-panelsplus.com

GO Regulator

405 Centura Court
Spartanburg, SC 29303
Tel (864) 574-7966
Fax (864) 587-5608
www.goreg.com

TOMCO

882 Callendar Boulevard
Painesville Twp., OH 44077
Tel (440) 358-1000
Fax (440) 358-1066
www.tomcoquickcouplers.com

HOKE Controls

2301 Wardlow Circle
Corona, CA 92880
Tel (909) 898-6100
Fax (909) 898-6119

U.S. Para Plate

12810 Earhart Avenue
Auburn, CA 95602
Tel (530) 885-8187
Fax (530) 885-8117
www.usparaplate.com

LIMITED WARRANTY

ALL CIRCLE SEAL CONTROLS, INC., GO REGULATOR, AND HOKE INC. PRODUCTS ARE MADE TO EXACTING STANDARDS OF DESIGN, MATERIAL, WORKMANSHIP AND QUALITY CONTROL AND ARE WARRANTED TO BE FREE OF DEFECTS IN MATERIAL AND WORKMANSHIP AND REASONABLY FIT FOR THE USES SET FORTH IN SELLER'S CATALOG OR THE CONTRACT SPECIFICATIONS FOR A PERIOD OF ONE YEAR AFTER SALE IF PROPERLY INSTALLED AND MAINTAINED AND UNDER THE NORMAL USE AND SERVICE FOR WHICH THE EQUIPMENT IS INTENDED. BUYER TO INSPECT THE GOODS WITHIN TEN DAYS OF DELIVERY AND TO THEN IMMEDIATELY NOTIFY SELLER OF ANY DEFECTS IN ORDER TO CLAIM A DEFECT. THIS WARRANTY IS IN LIEU OF ALL OTHER WARRANTIES WHETHER THEY ARE STATUTORY, EXPRESS OR IMPLIED, INCLUDING AMONG OTHER THINGS ANY IMPLIED WARRANTY OF MERCHANTABILITY FITNESS FOR A PARTICULAR PURCHASE NOT SET FORTH IN SELLER'S CATALOG, AND ALSO DOES NOT APPLY TO ANY PRODUCTS OF SELLER WHICH HAVE BEEN REPAIRED, ALTERED OR MODIFIED OR HAVE BEEN SUBJECT TO MISUSE OR ABUSE. SELLER IS NOT LIABLE FOR ANY CONSEQUENTIAL, INCIDENTAL OR SPECIAL DAMAGES RESULTING DIRECTLY OR INDIRECTLY FROM THE DESIGN, MATERIAL, WORKMANSHIP, OPERATION OR INSTALLATION OF ANY OF ITS PRODUCTS AND NEITHER ASSUMES NOR AUTHORIZES ANY OTHER PERSON TO ASSUME FOR IT ANY OTHER LIABILITY IN CONNECTION THEREWITH. BUYER'S EXCLUSIVE REMEDY SHALL BE THE REPAIR OR REPLACEMENT OF ANY SUCH DEFECTIVE PRODUCT AFTER VERIFICATION BY SELLER. THIS WARRANTY IS IN EFFECT UNLESS SUPERSEDED BY LIMITED WARRANTY, FORM NO. 2299 (4/83)